

# TROLLEY-MOUNTED HOSE REELS

N° 222-AC

Work safely,  
move with ease



**ADVANCED FLUID  
MANAGEMENT SOLUTIONS**

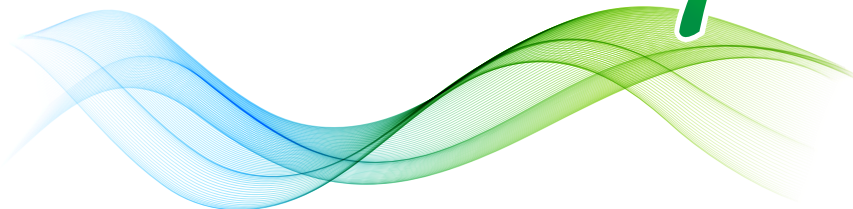




## HELP THE NATURE

Packaging contains, depending on the articles, one or more of the following materials; they must be recycled in accordance with current regulations in the country of use.

cardboard • polyethylene sack • polystyrene  
paper • wood • nails • plastic strap  
cellophane • clips • gummed paper





**ADVANCED FLUID  
MANAGEMENT SOLUTIONS**



DESIGN IS AN

*Art*





founded in 1975



*the human side  
of Quality*



# strong points



- Security system that **prevents the handle rotation** while the hose unreels, thus avoiding accidental damages to people or things.
- **Fold-in handle** as standard reduces the dimensions of the hose reel and simultaneously increases safety during use and movement.
- **Rotation lock** as standard eliminates the risk of involuntary drum rotation.
- **Trolley brake** as standard automatically locks the trolley when stationary.
- **Hose guide** as standard makes winding easy.
- **AISI 304 or AISI 316 stainless steel** version for particularly aggressive environments.
- **Max reel capacity.** The spring absence allows for the maximum utilization of the drum space.



## Why choose a trolley-mounted hose reel?

It's the ideal solution for the following situations:

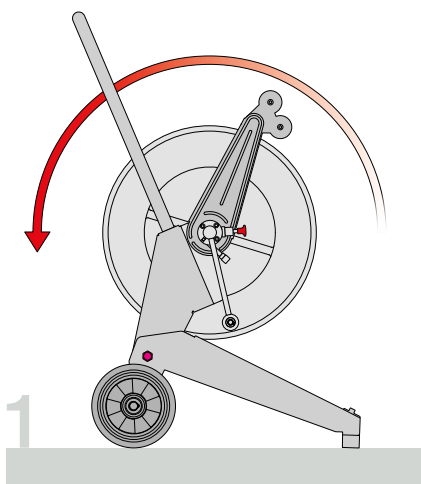
- if there's no free space on the wall or on the ceiling
- if you have to save money in order to the hose reels installed, moving one in more working points
- if you need to be closer to the working point

## TROLLEY USE

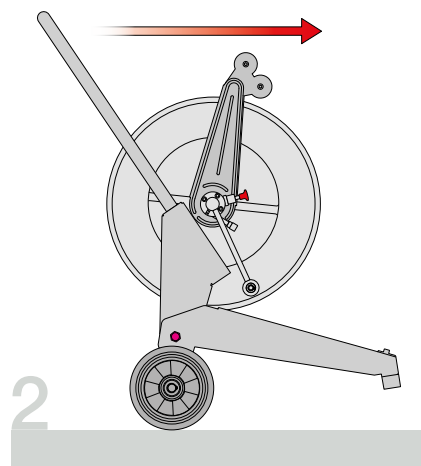
# Stop & go



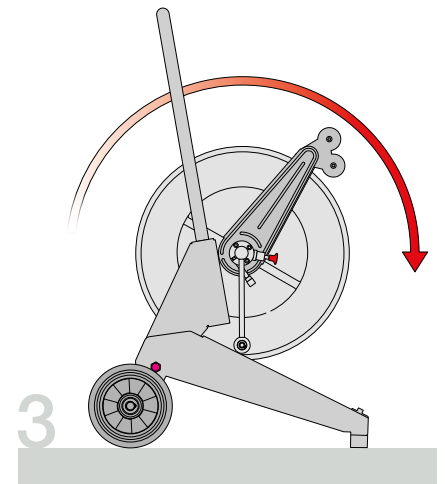
We advise activating the drum lock and folding in the handle while moving the trolley.



1  
Tilt the handle downward: the super block system is automatically deactivated, but the trolley is still touching the ground.



2  
Tilt the handle further back and move the trolley in the desired direction.



3  
Slowly release the handle until the trolley is resting completely on the ground: the super block system is activated automatically.

# INDEX

<b>Technical characteristics</b>	page	<b>8</b>
<b>Series 530</b> galvanized and stainless steel	page	<b>10</b>
<b>Series 540</b> galvanized and stainless steel	page	<b>11</b>
<b>Series 560</b> galvanized and stainless steel	page	<b>12</b>

**SAFETY SYSTEM**

The handle rotation lock system, designed by RAASM, allows you to work without any concerns

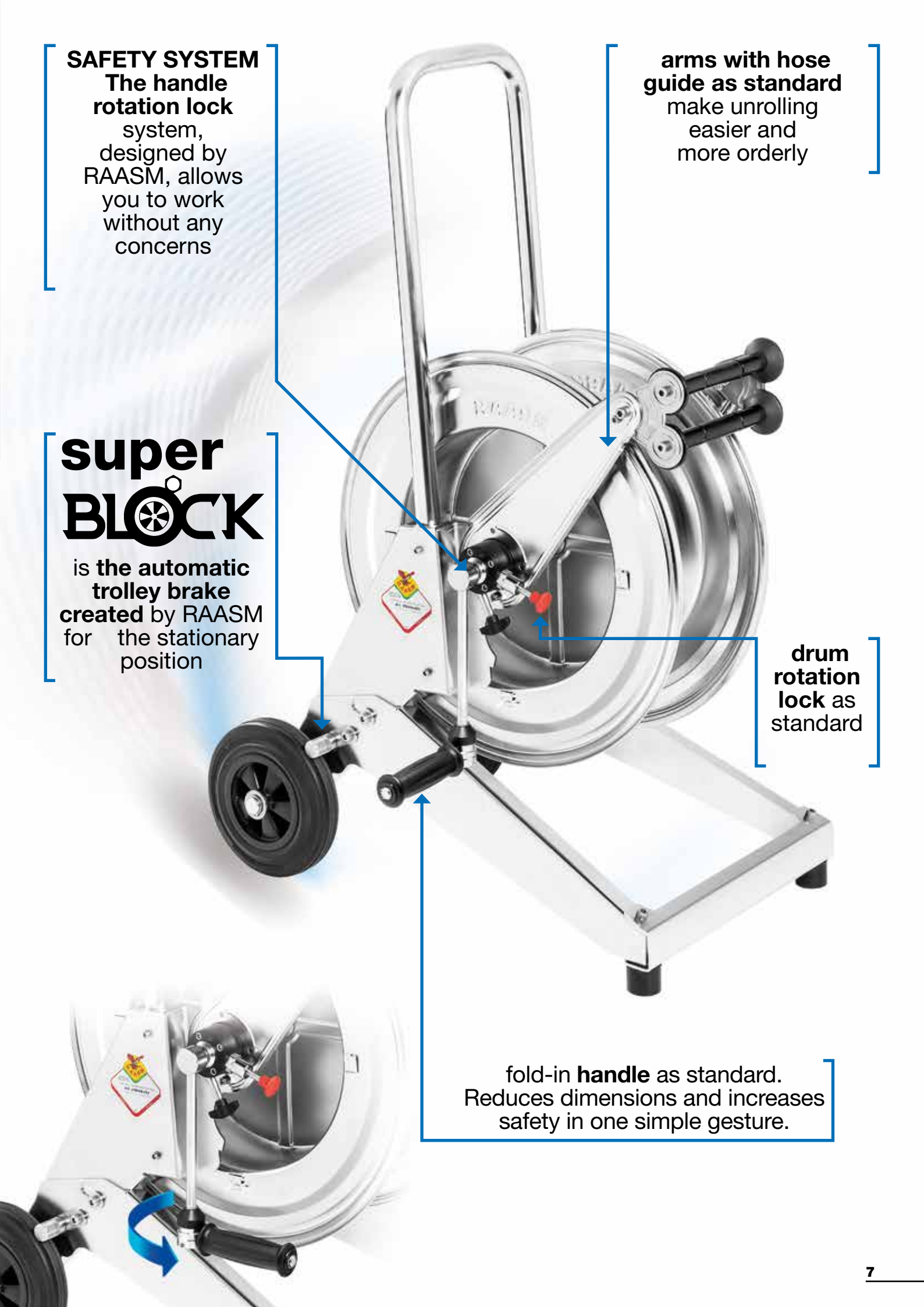
arms with hose guide as standard make unrolling easier and more orderly

**super  
BLOCK**

is the automatic trolley brake created by RAASM for the stationary position

drum rotation lock as standard

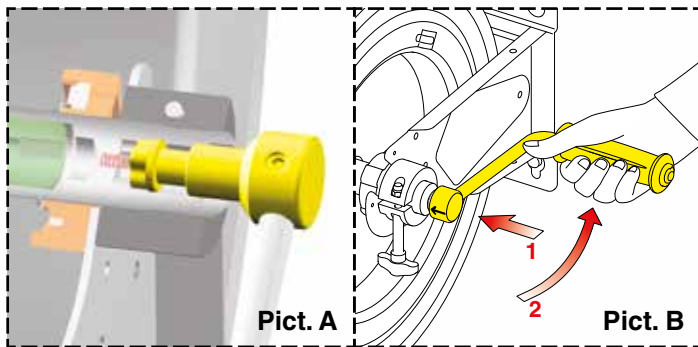
fold-in handle as standard. Reduces dimensions and increases safety in one simple gesture.





# Series 530-540-560

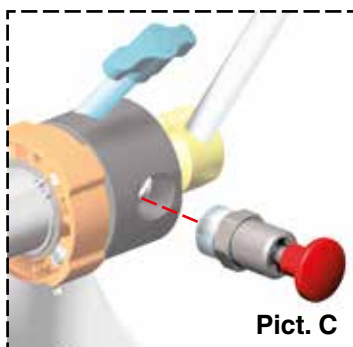
## TECHNICAL CHARACTERISTICS



### SECURITY SYSTEM

The hose reel is designed with a new security system that allows the handle to stay in place, avoiding the rotation during the manual hose unreeling (Picture A).

To rewind the hose, use the handle as follows (Picture B):  
**1** press on the knob that connects the handle to the drum  
**2** rotate handle counterclockwise



**ROTATION LOCK** (Picture C)  
 This special device stops any drum movement.



### REGULATION CLUTCH

Allows to regulate the drum rotation speed during the hose unwinding.



### SUPER BLOCK

Is the automatic trolley brake created by RAASM for the stationary position.



### “STOP & GO” TROLLEY

Durable and user-friendly, it allows quick movement of the hose winder for operation in different work environments with the same equipment.



### CENTRAL PIN

Available, depending on model, in galvanized steel or in stainless steel AISI 304 or AISI 316. Suitable to work with different kinds of fluids and with passages sized to avoid pressure losses.



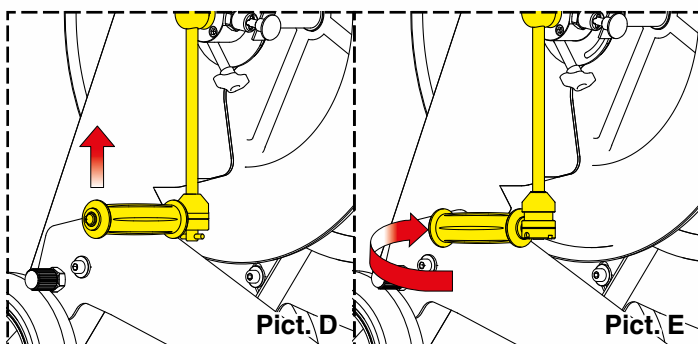
### DRUM SUPPORT BUSHINGS

Drum support bushings in Tenaxid, self lubricating material resistant against corrosion.



### SWIVEL JOINT

Designed with the ideal internal dimensions to guarantee the most possible flow. It is realized, depending on the model, in brass, AISI 304 or AISI 316 stainless steel, with seals in Viton® and Teflon®.



### FOLD-IN HANDLE

The fold-in handle featured as standard on the trolley-mounted hose reels, can be used to reduce dimensions and increase safety.

Instructions for use:

**Pict. D** Push the handle upwards

**Pict. E** Rotate the handle right or left to fold it in.

To restore the handle's starting position push the handle upwards and turn it 90°.





**G**

**DRUM**  
Sturdy and practical, with beads to reinforce the structure and rounded border. Available in painted steel or AISI 304 and AISI 316 stainless steel.

**H**

**HOSE GUIDE**  
This accessory is provided as standard and guides the hose for orderly and correct winding. It is equipped with horizontal rollers that reduce wear of the hose.

**F**

**E**

**D**

**C**

**A**

**B**



# Hose reel series 530 Manual trolley-mounted



The dimensions of the **530 series manual trolley-mounted hose reels** guarantee ample rewinding length while maintaining a lightweight and versatile product.

 **Comfortable and safe**









Note: All the hose reels in the table are without hose

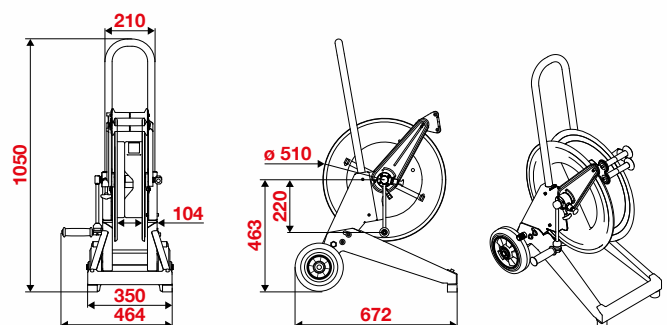
TROLLEY-MOUNTED DRUM	GALVANIZED STEEL PAINTED STEEL	AISI 304 S. STEEL AISI 304 S. STEEL	AISI 316 S. STEEL AISI 316 S. STEEL	Connection	
				inlet	outlet
<b>Air - Water 20 bar</b> - brass swivel joint - Viton® seals	<b>236530.100</b>	<b>246532.100</b>	-	G 1/2" (f)	G 1/2" (f)
<b>Water max 130 °C 100 bar</b> - AISI 304 stainless steel swivel joint - Viton® seals	<b>236530.200</b>	<b>246534.200</b>	<b>256535.200 *</b>	G 1/2" (f)	G 1/2" (f)
<b>Water max 130 °C 200 bar</b> - AISI 304 stainless steel swivel joint - Viton® seals	<b>236530.300</b>	<b>246534.300</b>	<b>256535.300 *</b>	G 3/8" (f)	G 1/2" (f)
<b>Water max 130 °C 400 bar</b> - AISI 304 stainless steel swivel joint - Teflon® seals	<b>236530.350</b>	<b>246534.350</b>	<b>256535.350 *</b>	G 3/8" (f)	G 1/2" (f)

\* AISI 316 stainless steel swivel joint



## HOSE REEL CAPACITY

EXTERNAL HOSE Ø		SERIES 530
	1/4"	14 mm Length max 60 m
	3/8"	17 mm Length max 35 m
	1/2"	20 mm Length max 25 m
	5/8"	21 mm Length max 18 m
	3/4"	27 mm Length max 15 m
	1"	34 mm Length max 7 m

## OVERALL DIMENSIONS (mm)



The hoses to be assembled on the hose reels must be suitable for the working pressures specified on the label.


 N° 1 packing m<sup>3</sup> 0,28  26 kg



# Hose reel series 540 Manual trolley-mounted



The manual hose reel series 540 is an efficient and simple solution to the handling of flexible hoses even up to 1".

 Lighter and more manageable









Note: All the hose reels in the table are without hose

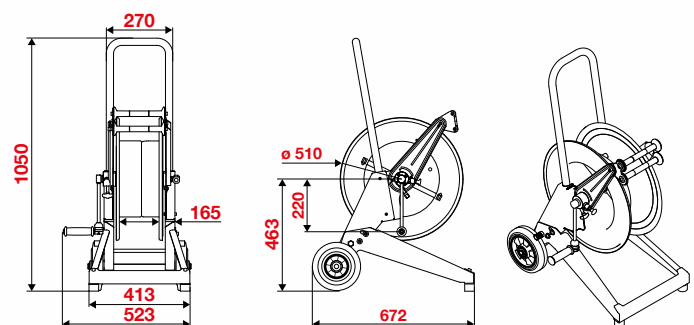
TROLLEY-MOUNTED DRUM	GALVANIZED STEEL PAINTED STEEL	AISI 304 S. STEEL AISI 304 S. STEEL	AISI 316 S. STEEL AISI 316 S. STEEL	Connection	
				inlet	outlet
Air - Water <b>20 bar</b> - brass swivel joint - Viton® seals	236540.100	246542.100	-	G 1" (f)	G 1" (f)
	236540.105	246542.105	-	G 1/2" (f)	G 1/2" (f)
Water max 130 °C <b>100 bar</b> - AISI 304 stainless steel swivel joint - Viton® seals	236540.200	246544.200	256545.200 *	G 1" (f)	G 1" (f)
	236540.205	246544.205	256545.205 *	G 1/2" (f)	G 1/2" (f)
Water max 130 °C <b>200 bar</b> - AISI 304 stainless steel swivel joint - Viton® seals	236540.300	246544.300	256545.300 *	G 3/8" (f)	G 1/2" (f)
	236540.350	246544.350	256545.350 *	G 3/8" (f)	G 1/2" (f)

\* AISI 316 stainless steel swivel joint



## HOSE REEL CAPACITY

EXTERNAL HOSE Ø		SERIES 540
	1/4"	14 mm Length max 110 m
	3/8"	17 mm Length max 60 m
	1/2"	20 mm Length max 45 m
	5/8"	21 mm Length max 25 m
	3/4"	27 mm Length max 20 m
	1"	34 mm Length max 15 m

## OVERALL DIMENSIONS (mm)



The hoses to be assembled on the hose reels must be suitable for the working pressures specified on the label.

 N° 1 packing m<sup>3</sup> 0,28  29 kg



# Hose reel series 560

## Manual trolley-mounted



Amongst the manual trolley-mounted hose reels types, **the series 560 is the most spacious.** Regardless of its strength, the simple operation is maintenance free.

**Max capacity**



Note: All the hose reels in the table are without hose

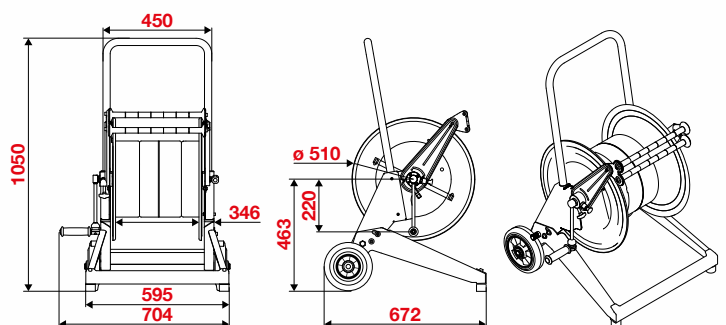
TROLLEY-MOUNTED DRUM	GALVANIZED STEEL PAINTED STEEL	AISI 304 S. STEEL AISI 304 S. STEEL	AISI 316 S. STEEL AISI 316 S. STEEL	Connection	
				inlet	outlet
Air - Water <b>20 bar</b> - brass swivel joint - Viton® seals	236560.100	246562.100	-	G 1" (f)	G 1" (f)
	236560.105	246562.105	-	G 1/2" (f)	G 1/2" (f)
Water max 130 °C <b>100 bar</b> - AISI 304 stainless steel swivel joint - Viton® seals	236560.200	246564.200	256565.200 *	G 1" (f)	G 1" (f)
	236560.205	246564.205	256565.205 *	G 1/2" (f)	G 1/2" (f)
Water max 130 °C <b>200 bar</b> - AISI 304 stainless steel swivel joint - Viton® seals	236560.300	246564.300	256565.300 *	G 3/8" (f)	G 1/2" (f)
	236560.350	246564.350	256565.350 *	G 3/8" (f)	G 1/2" (f)

\* AISI 316 stainless steel swivel joint

### HOSE REEL CAPACITY

EXTERNAL HOSE Ø		SERIES 560
	1/4"	14 mm Length max 200 m
	3/8"	17 mm Length max 120 m
	1/2"	20 mm Length max 85 m
	5/8"	21 mm Length max 60 m
	3/4"	27 mm Length max 45 m
	1"	34 mm Length max 30 m

### OVERALL DIMENSIONS (mm)



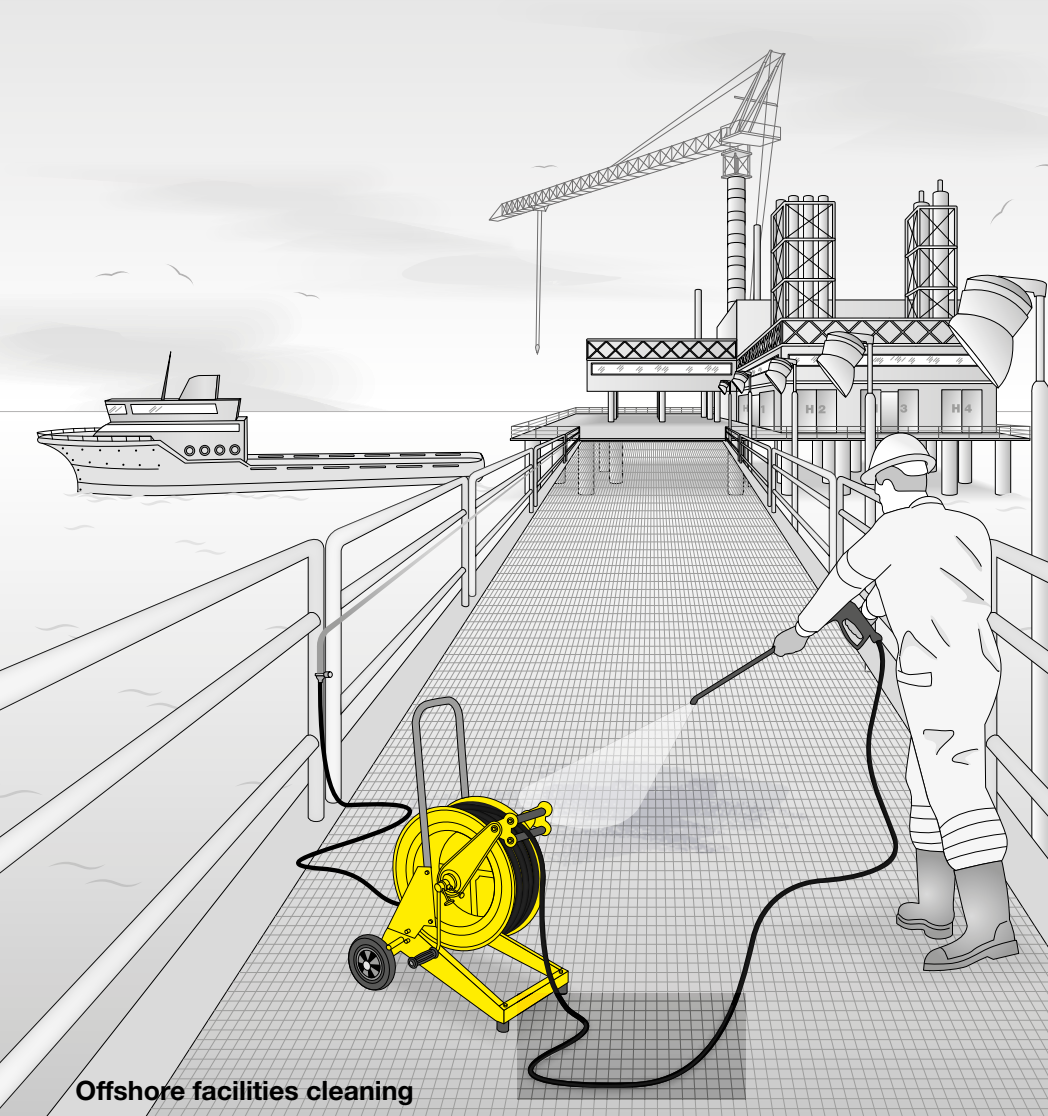
The hoses to be assembled on the hose reels must be suitable for the working pressures specified on the label.

N° 1 packing m<sup>3</sup> 0,35 36 kg

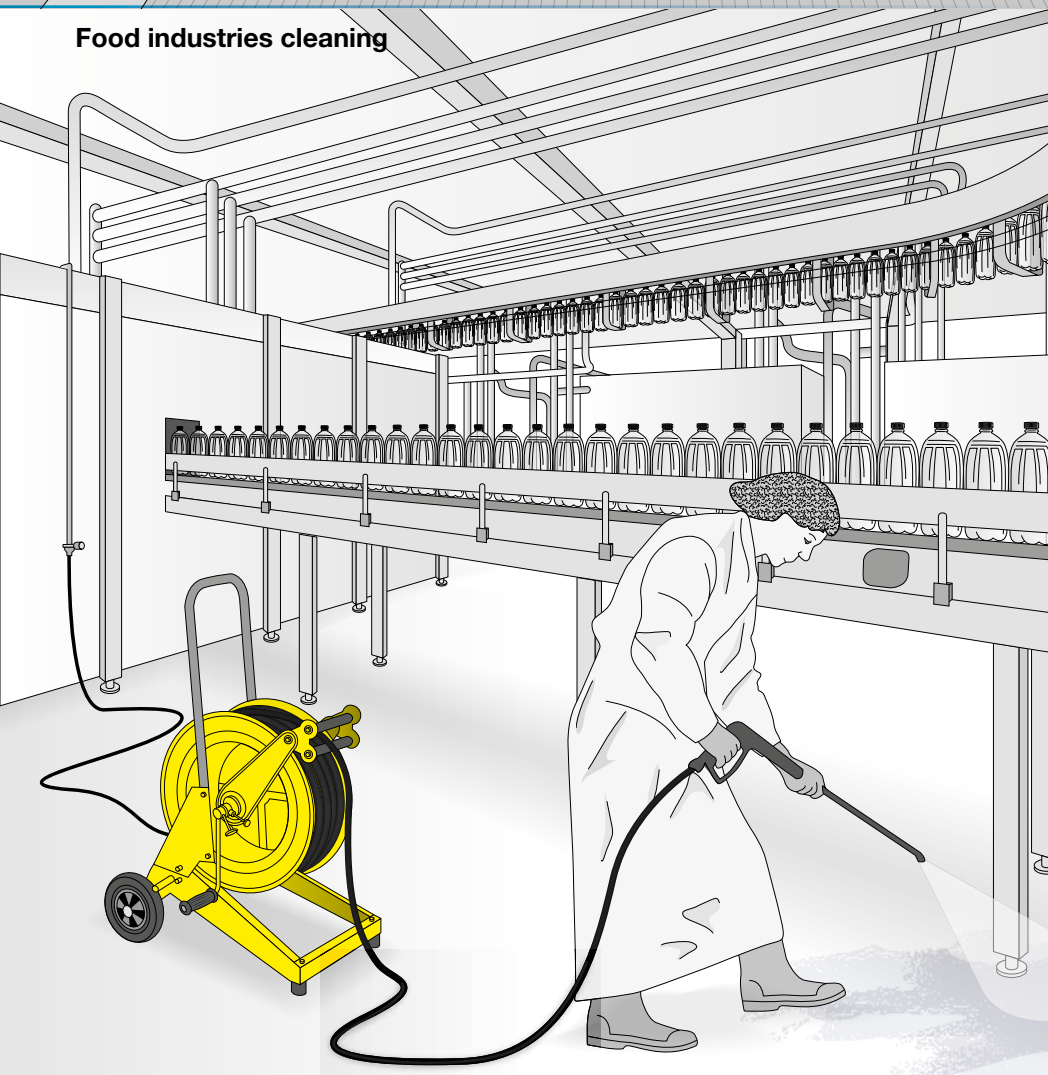


**ADVANCED FLUID  
MANAGEMENT SOLUTIONS**

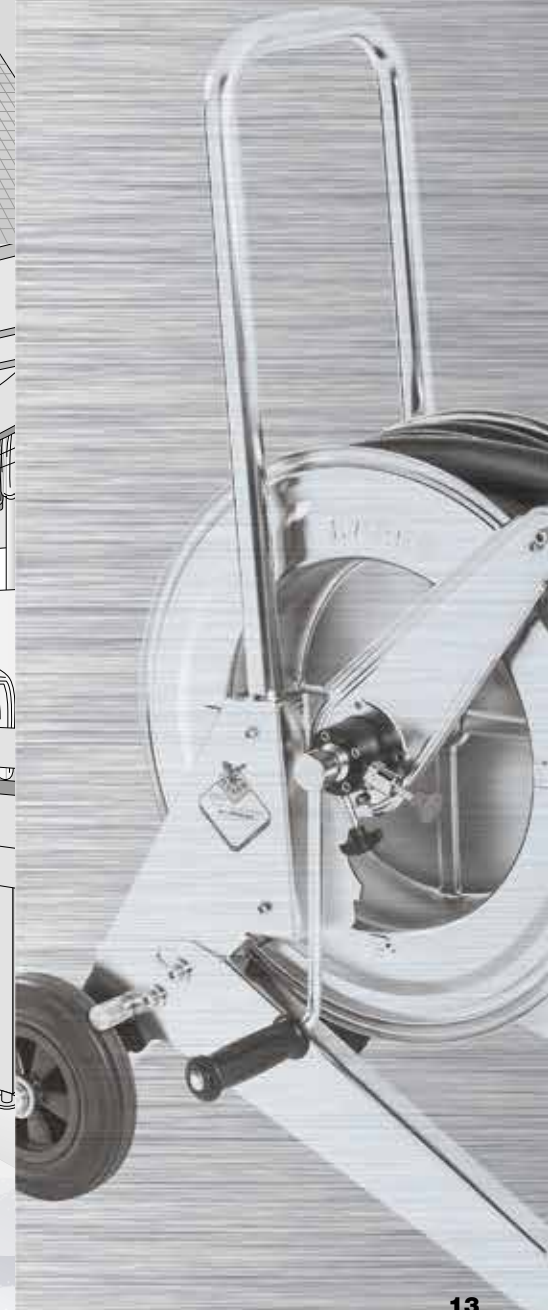
# APPLICATION FIELDS



**Offshore facilities cleaning**



**Food industries cleaning**



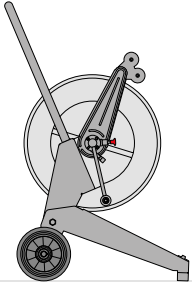
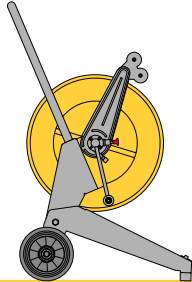
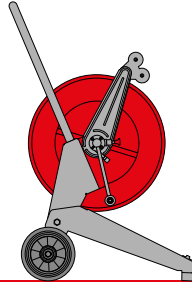
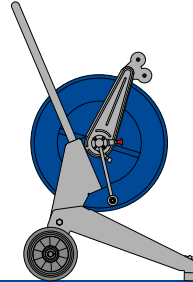
# PRODUCT CUSTOMISATION



**RAASM** offers the opportunity to order 530, 540 and 560 series in **4 different drum colours**; depending on model the trolley could be in **galvanized steel, AISI 304 or AISI 316 stainless steel**. The customer **without the constraints of minimum quantity, nor additional costs, can request the colour choosing from the proposed range**. This customization concerns only the colour and **does not include**: instruction booklets, labels, brands, etc. **Delivery times for the colour that is not standard may vary**. Different colours, in addition to those available or other customizations, must be valued each time and will be bound to minimum quantities and additional costs.

## AVAILABLE COLOURS

The products for which a customized colour is not specified, are supplied with standard grey colour as per catalogue

STANDARD COLOUR	AVAILABLE COLOURS		
			
<b>RAL 7035</b>	<b>RAL 1004</b>	<b>RAL 3020</b>	<b>RAL 5002</b>

To order an item with a **different colour from the standard**, it is necessary to add the suffix:

**/C2** for yellow colour **Ral 1004**

**/C4** for red colour **Ral 3020**

**/C5** for blue colour **Ral 5002**

**RAASM** products  
are present worldwide through a network of  
qualified dealers.





## THREE WORDS TO DESCRIBE RAASM

### ■ Technology

The starting point for the entire production cycle is the research and development of cutting-edge new solutions which lead to the development of **high quality products, fully produced in Italy.**



### ■ Quality

The quality of our product manufacturing has always been our absolute priority. To reach this goal rigorous testing accompanies every phase of the manufacturing process.



### ■ Functionality

RAASM offers the most complete range of lubrication products suited to many sectors. Our aim is to always be available to provide solutions to our customers.



Company with quality, environment and safety system according to ISO 9001:2015, ISO 14001:2015 and ISO 45001:2018 standards

**RAASM S.p.A.**  
36022 S. ZENO DI CASSOLA (VI)  
Via Marangoni, 33 - ITALY

**Export department**

Tel. +39 0424 571130 - Fax +39 0424 571135

**Technical department**

Tel. +39 0424 571150 - Fax +39 0424 571155

info@raasm.com - www.raasm.com



Authorized distributor